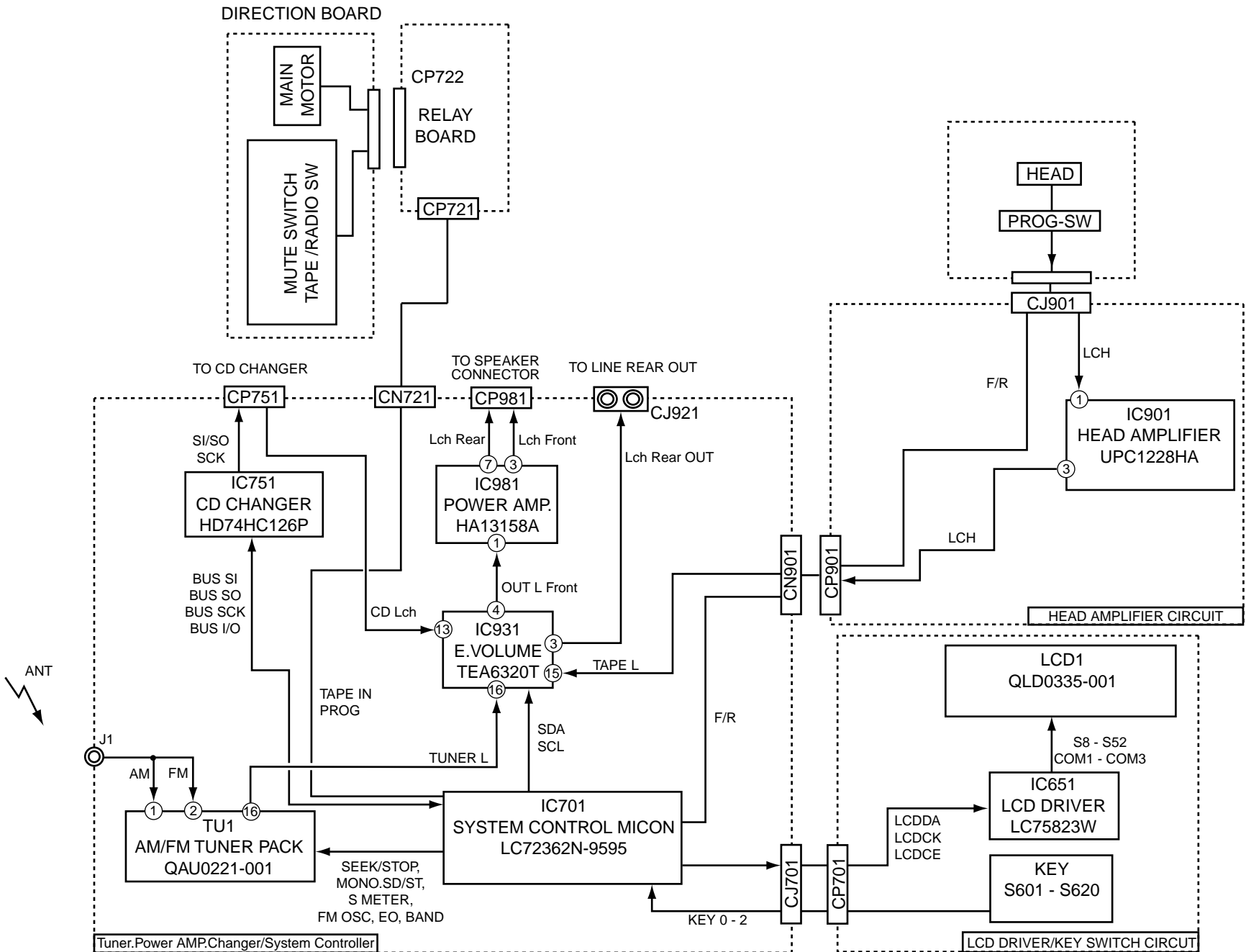


A

B

C

1 2 3 4 5



< MEMO >

Standard schematic diagrams

Receiver & operation switch circuit section

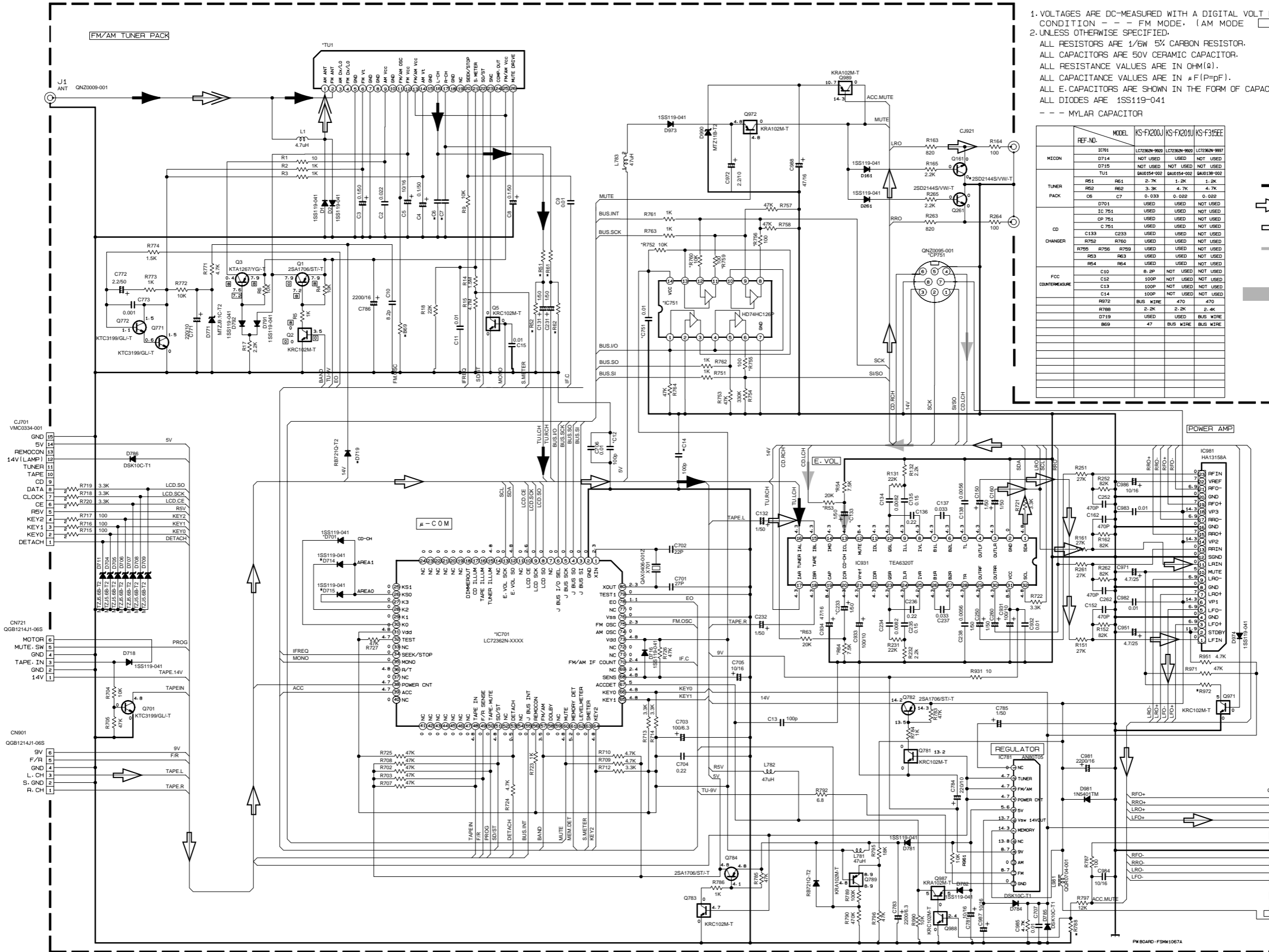
5

4

3

2

1



NOTES

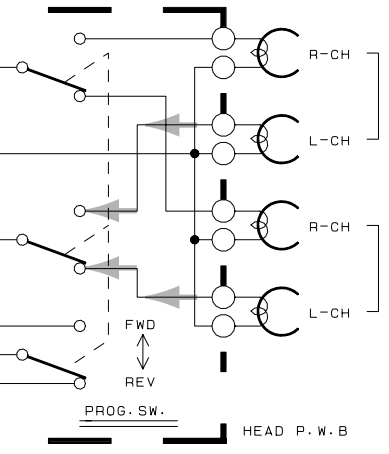
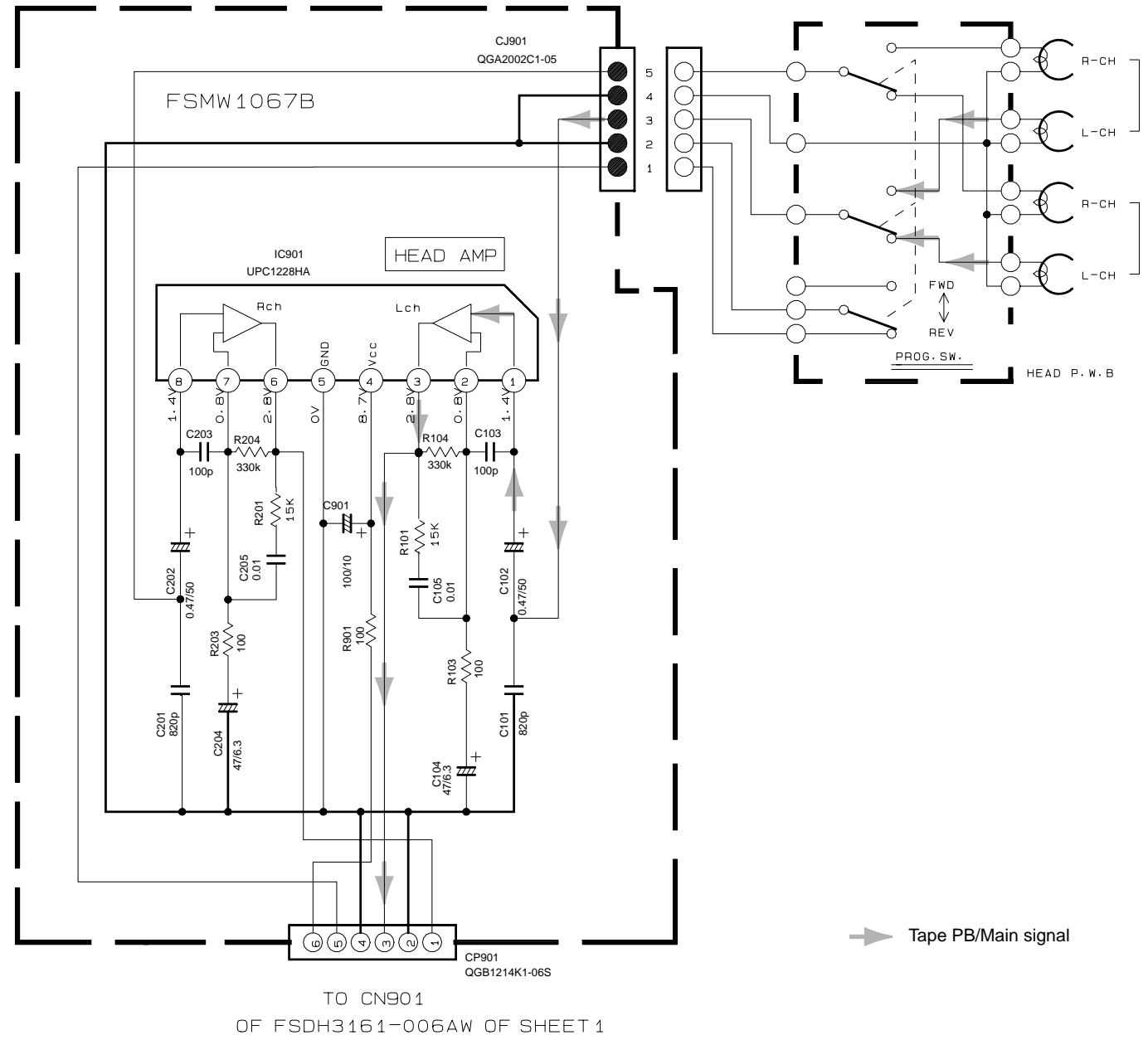
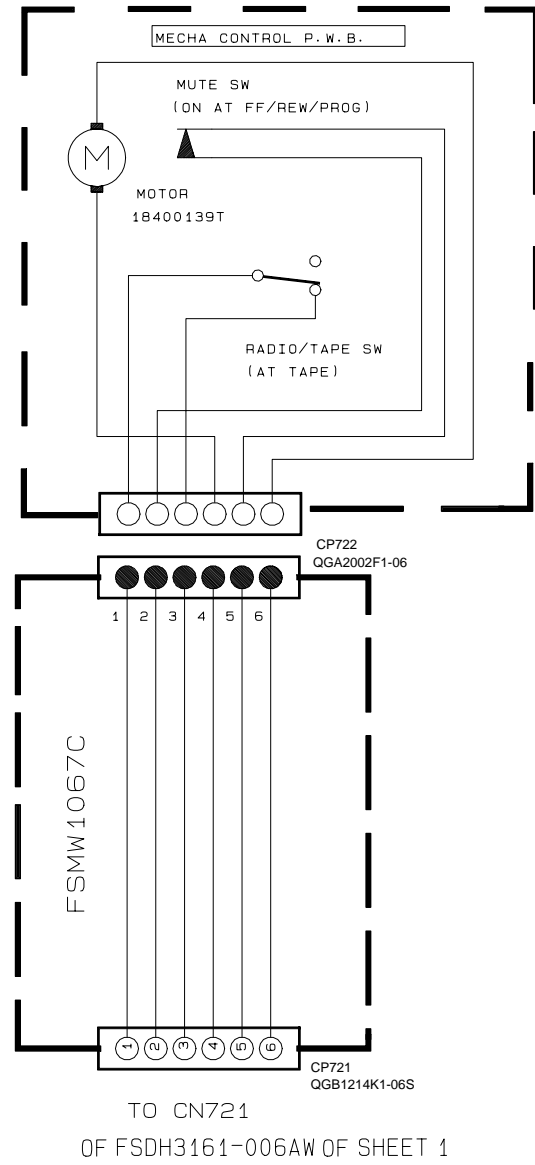
- VOLTAGES ARE DC-MEASURED WITH A DIGITAL VOLT METER WITHOUT INPUT SIGNAL. CONDITION --- FM MODE. (AM MODE)
- UNLESS OTHERWISE SPECIFIED:
 ALL RESISTORS ARE 1/6W 5% CARBON RESISTOR.
 ALL CAPACITORS ARE 50V CERAMIC CAPACITOR.
 ALL RESISTANCE VALUES ARE IN OHM(Ω).
 ALL CAPACITANCE VALUES ARE IN μF(P=PF).
 ALL E-CAPACITORS ARE SHOWN IN THE FORM OF CAPACITANCE(μF) / RATED VOLTAGE(V).
 --- DIODES ARE 1SS119-041
 --- MYLAR CAPACITOR

REF. NO.	MODEL	KS-FX200J	KS-FX201U	KS-F315EE
MICCON				
D714	NOT USED	USED	NOT USED	
D715	NOT USED	NOT USED	NOT USED	
TUNER PACK				
R51	R61	2.7K	1.2K	1.2K
R52	R62	3.3K	4.7K	4.7K
C6	C7	0.033	0.022	0.022
CD CHANGER				
C133	C233	USED	USED	NOT USED
C751	USED	USED	NOT USED	
R752	R760	USED	USED	NOT USED
R755	R756	USED	USED	NOT USED
R757	R759	USED	USED	NOT USED
R54	R64	USED	USED	NOT USED
FCC COUNTERMEASURE				
C10	8.2P	NOT USED	NOT USED	
C12	100P	NOT USED	NOT USED	
C13	100P	NOT USED	NOT USED	
C14	100P	NOT USED	NOT USED	
R972	BUS WIRE	470	470	
R978	BUS WIRE	2.2K	2.2K	
D719	USED	USED	BUS WIRE	
B69	47	BUS WIRE	BUS WIRE	

- FM Radio signal
- AM Radio signal
- CD signal
- Tape PB/Main signal
- Parts are safety assurance parts. When replacing those parts make sure to use the specified one.

Note:3161ma
 KS-FX200J/KS-FX315EE/CH-PKF200J/KS-FX201U series & CH-PKF201U series
 FSDH3161-006AW 1/3

Head amplifier circuit section

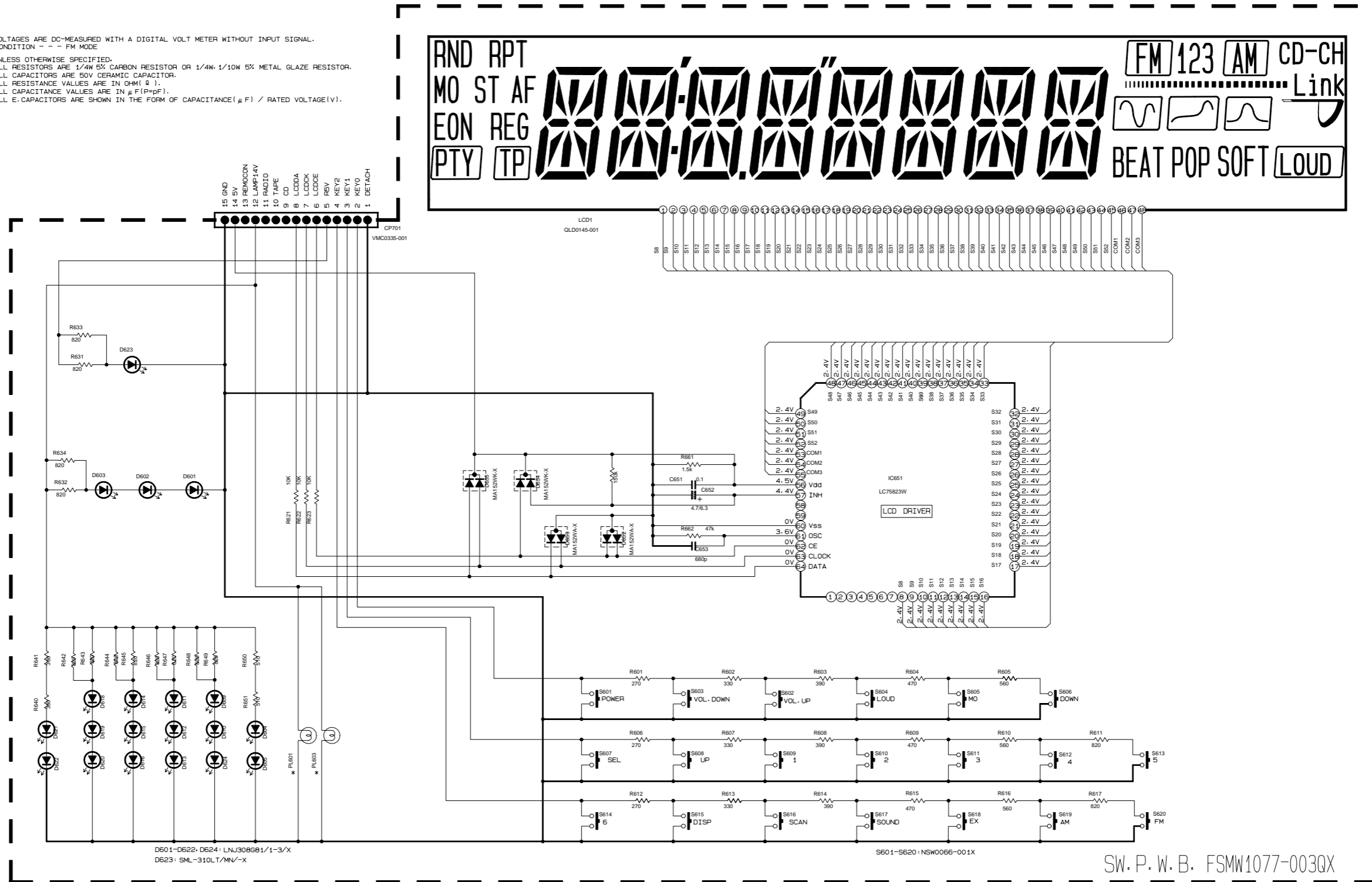


➔ Tape PB/Main signal

■ LCD driver & operation switch circuit

NOTES

1. VOLTAGES ARE DC-MEASURED WITH A DIGITAL VOLT METER WITHOUT INPUT SIGNAL. CONDITION - - - FM MODE
2. UNLESS OTHERWISE SPECIFIED:
 ALL RESISTORS ARE 1/4W 5% CARBON RESISTOR OR 1/4W 1/10W 5% METAL GLAZE RESISTOR.
 ALL CAPACITORS ARE 50V CERAMIC CAPACITOR.
 ALL RESISTANCE VALUES ARE IN OHM (Ω).
 ALL CAPACITANCE VALUES ARE IN μF (P=pF).
 ALL E-CAPACITORS ARE SHOWN IN THE FORM OF CAPACITANCE(μF) / RATED VOLTAGE(V).



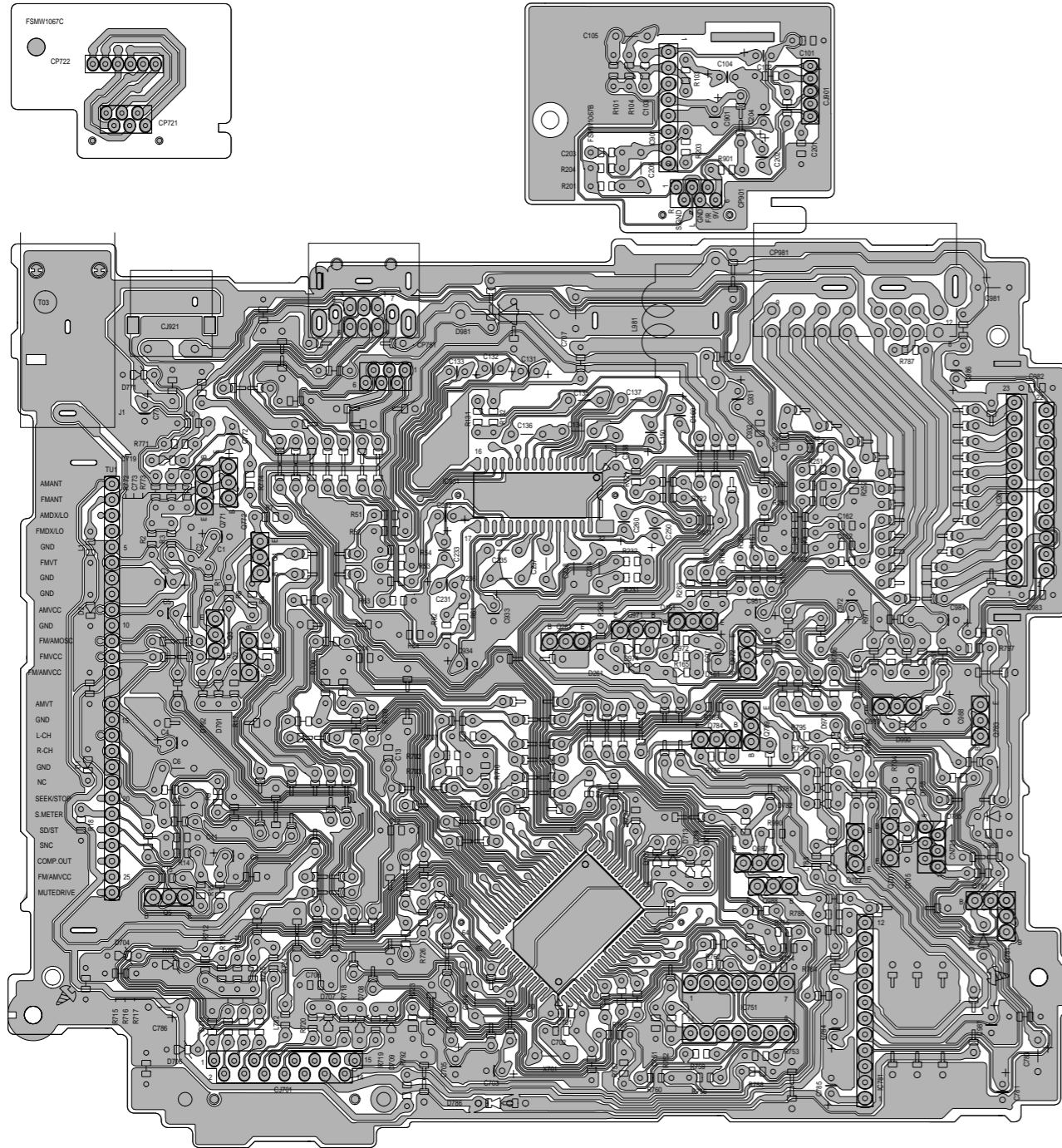
SW. P. W. B. FSMW1077-003QX

Version	KS-FX200J/F315EE	KS-FX201U SERIES	MODEL NAME	SWITCHBOARD
Ref No.	QLL0070-001	QLL0092-001	KS-FX200J/F315EE	KS-SWPCB-6
			KS-FX201U SERIES	KS-SWPCB-7

Note:3211sw
 KS-FX200J/KS-F315EE/KS-FX201U series/ CHPKFX200J & CH-PKFX201U series
 FSDH3161-006SW 3/3

Printed circuit board

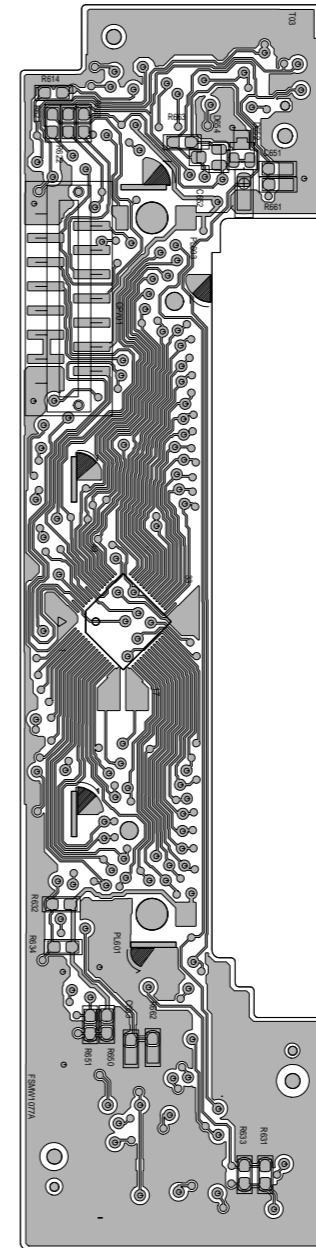
■ Main board



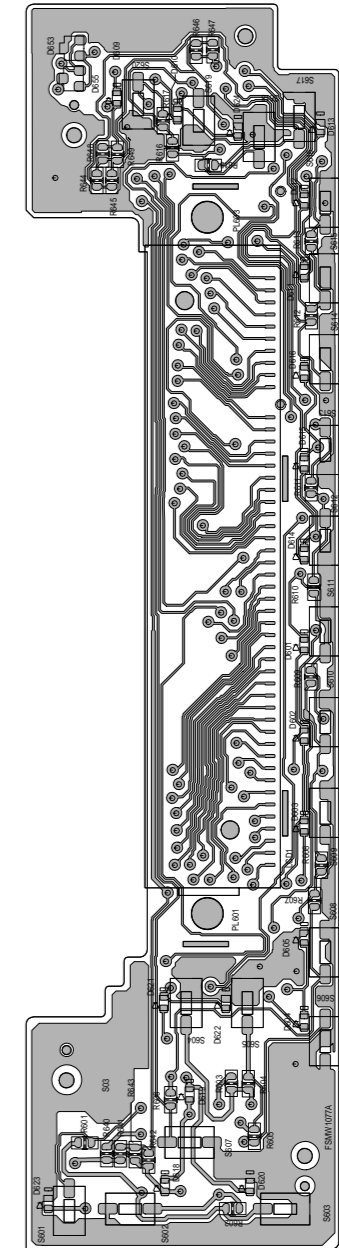
Note:/tr/p/jes/1067/1067mo
KS-F315/FSMW1067-003

■ Front board

(Reverse side)



(Forward side)



Note:/tr/p/jes/1077/1077mo
KS-F315

5
4
3
2
1

A B C 2-6 D E F G H